

Dowing²

Quick Start Guide / Snelstartgids

ID manual: 606280
Revision / Revisie: 4.0
Date / Datum: 01-05-2024

Introduction / Voorwoord

This is the Quick start guide for Dowing², a dynamic arm support system. This product is developed, manufactured and potentially distributed by Focal Meditech B.V. This quick start guide contains the basic information regarding Dowing². The aim of this information is to ensure successful, safe and effective use of the device. This quick start guide will give you a quick look on the features and important safety warnings of Dowing². Please take note of the safety warnings before using Dowing².

Dit is de snelstartgids voor Dowing², een dynamische armondersteuning. Dit product wordt ontwikkeld, geproduceerd en eventueel gedistribueerd door Focal Meditech B.V. Deze snelstartgids bevat de basisinformatie over Dowing². Het doel van deze informatie is te zorgen voor een succesvol, veilig en effectief gebruik van het apparaat. Deze snelstartgids geeft u een snelle blik op de functies en belangrijke veiligheidswaarschuwingen van Dowing². Houd rekening met de veiligheidswaarschuwingen voordat u Dowing² gebruikt.

Overview / Overzicht

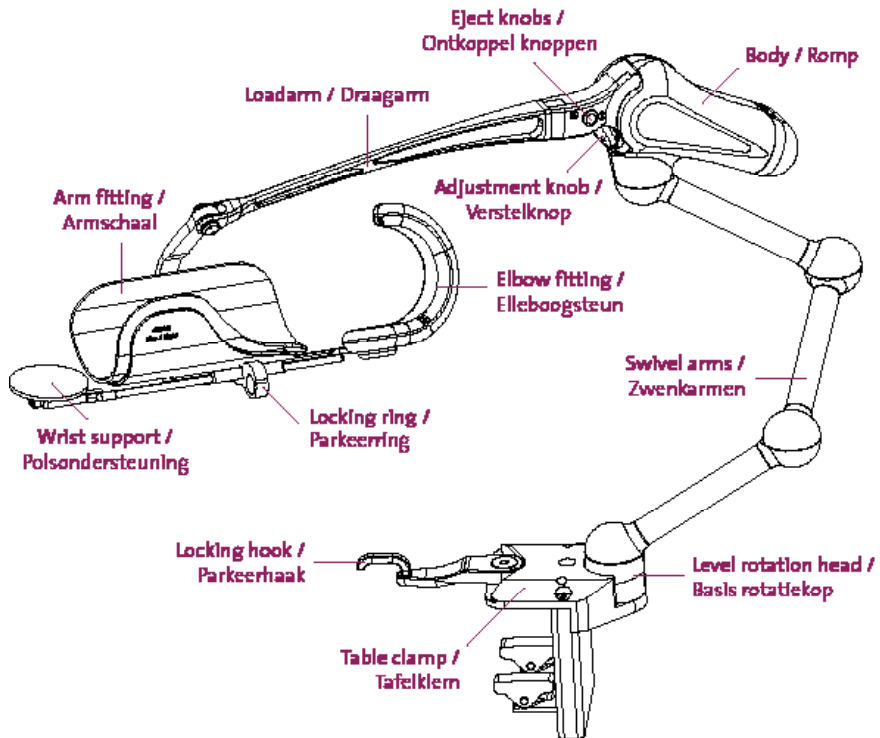


Figure 1: Overview Dowing² with terms of specific parts

Figuur 1: Overzicht Dowing² met benaming specifieke onderdelen

Safety notices / Veiligheidsnotities



Danger: Prevent direct contact with water or any other liquid.

Failure to prevent this can lead to malfunctioning of device or bodily harm.

Gevaar: Voorkom direct contact met water of enige andere vloeistof. Het niet voorkomen hiervan kan leiden tot onjuist functioneren van het apparaat of tot lichamelijke schade.



Danger: Prevent exposure to extreme temperature (see environment conditions). Failure to prevent this can lead to malfunctioning of the device or bodily harm.

Gevaar: Voorkom blootstelling aan extreme temperaturen (zie omgevingscondities). Het niet voorkomen kan slecht functioneren van het hulpmiddel of lichamelijk letsel tot gevolg hebben.



Danger: Mechanical energy is stored for balancing the arm. During non-intended removal of the arm from the arm fitting of Dowing², this mechanical energy will be released resulting in a fast moving Human Interface which can result in bodily harm.

Gevaar: Mechanische energie wordt opgeslagen om de arm te balanceren. Tijdens niet-bedoelde verwijdering van de arm uit de armschaal van Dowing² zal deze mechanische energie vrijkomen wat resulteert in een snel bewegende Human Interface wat lichamelijk letsel tot gevolg zou kunnen hebben.



Warning: Do not modify any part of this equipment without authorization of Focal Meditech. This can lead to malfunctioning and will void the warranty.

Waarschuwing: Wijzig geen enkel onderdeel van dit hulpmiddel zonder toestemming van Focal Meditech. Indien dit toch gedaan wordt, kan dit leiden tot onjuist functioneren en zal de garantie komen te vervallen.



Warning: In case of faulty device contact Focal Meditech or your dealer. Do not try to fix it yourself. Failure of this will void the warranty.

Waarschuwing: Neem indien het hulpmiddel onjuist functioneert direct contact op met Focal Meditech of uw dealer. Probeer het niet zelf te repareren. Het niet opvolgen van deze waarschuwing kan leiden tot verlies van garantie.



Warning: In case of doubt about safety of the device contact Focal Meditech or your dealer.

Waarschuwing: Neem in geval van twijfel over de veiligheid van het apparaat contact op met Focal Meditech of uw dealer.



Warning: In case of a serious incident when using the device, contact Focal Meditech and the national authority of your country.

Waarschuwing: Bij een ernstig voorval met betrekking tot dit apparaat dient contact te worden opgenomen met Focal Meditech en de bevoegde autoriteit van de lidstaat.



Warning: For safety and functional reasons, Dowing² may only be installed under the operating conditions described in the user manual. Dowing² may only be mounted on a (electric) wheelchair under strict conditions, which are described in more detail in the user manual.

Waarschuwing: Om veiligheids- en functionele redenen mag Dowing² enkel worden gemonteerd onder de in de gebruikershandleiding beschreven gebruiksomstandigheden. Dowing² mag enkel worden gemonteerd op een (elektrische) rolstoel onder strikte condities die in de gebruikershandleiding nader zijn beschreven.

Park or start using Dowing² / Parkeer of start gebruik Dowing²

If Dowing² is not used for a short time it is recommended to place the Dowing² in its intended parking bracket. This will provide a safe situation for both Dowing² and its surrounding. The same procedure is followed for the table clamp and the chair / stand clamp.

Wanneer Dowing² korte tijd niet wordt gebruikt, is het raadzaam om de Dowing² in zijn beoogde parkeerhaak te plaatsen. Dit zorgt voor een veilige situatie voor zowel Dowing² als voor de omgeving. Deze procedure is voor gebruik van de Dowing² in combinatie met een tafelklem of een stoel/standaardklem hetzelfde.

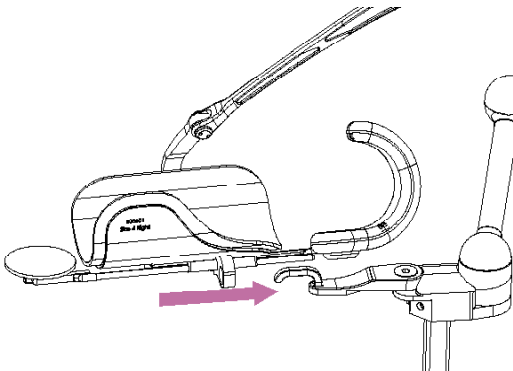


Figure 2: Park Dowing²
Figuur 2: Parkeer Dowing²

Park Dowing²

STEP 1: Move human interface with the locking ring backwards over the locking hook.

STEP 2: Move the arm with human interface up until the balance becomes less.

STEP 3: Remove the user's arm.

Parkeer Dowing²

STAP 1: Plaats de human interface met de borging achterwaarts over de parkeerhaak.

STAP 2: Beweeg de human interface omhoog totdat de balans van de human interface minder wordt.

STAP 3: Verwijder de arm uit de armschaal.

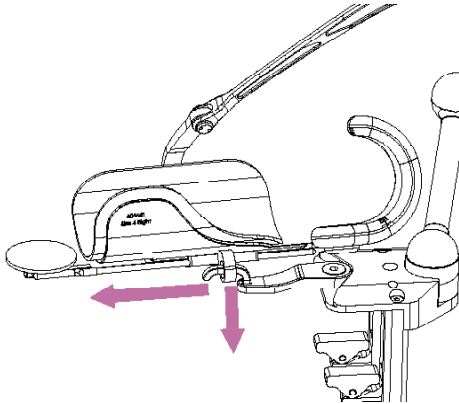


Figure 3: Start using Dowing²

Figure 3: Start using Dowing²

Start using Dowing²

STEP 1: Position the user's arm in the arm fitting.

STEP 2: Apply a small force downwards and slide the locking ring forwards over the hook.

Start gebruik Dowing²

STAP 1: Plaats de arm in de armschaal.

STAP 2: Oefen een beetje kracht uit naar beneden uit en schuif de armschaal naar voren zodat de parkeererring loskomt van de parkeerhaak.

Attach / detach the Human Interface / Koppelen / ontkoppelen van de Human Interface

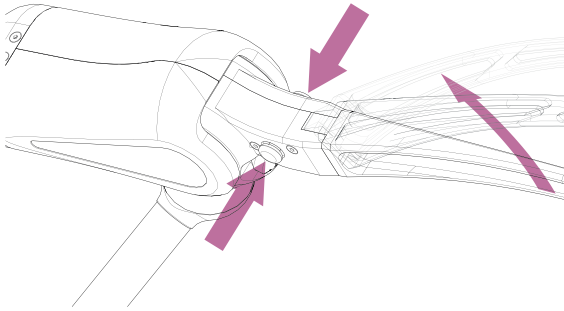


Figure 4: Attach / detach human interface

Figuur 4: Koppelen / ontkoppelen human interface

The human interface including the loadarm, arm fitting, elbow fitting and wrist support can be removed easily. To disconnect the Human Interface, press both red buttons at the top of Dowing², and move the Human Interface away from the body in the upwards direction.

De human interface inclusief draagarm, de armschaal, elleboogsteun en polssteun kunnen gemakkelijk worden afgenomen. Om de human interface te ontgrendelen moeten de beide rode ontkoppelknoppen bovenaan de Dowing² worden ingedrukt. Beweeg de human interface in bovenwaartse richting van de behuizing van Dowing² weg.

Replacing the human interface can be done by pushing the Human Interface into the body of Dowing². The buttons do not have to be pushed. When the lever is in position, it cannot be removed without pressing the buttons.

De human interface kan worden teruggeplaatst door deze in het behuizingsdeel te drukken. De knoppen hoeven niet ingedrukt te worden. Eenmaal op zijn plek kan de human interface niet worden verwijderd zonder de rode knoppen in te drukken.

Attach / detach Dowing² / Koppelen / ontkoppelen Dowing²

If Dowing² is not used for a long time it is recommended to detach the Dowing² from its bracket. This will provide a safe situation for both Dowing² and its surrounding.

Wanneer Dowing² voor langere tijd niet wordt gebruikt, wordt het aanbevolen om Dowing² te demonteren van de klem. Dit zorgt voor een veilige situatie voor zowel Dowing² als voor de omgeving.

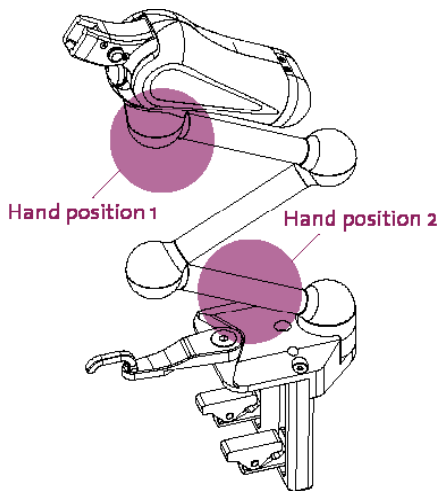


Figure 5: Indications of hand positions to detach Dowing²

Figuur 5: Aanduiding van handposities om Dowing² te ontkoppelen

Detach Dowing²

STEP 1: Lock Dowing² in the parking position (see park or start using Dowing²)

STEP 2: Remove the user's arm

STEP 3: Remove Dowing² from the parking position. Warning: the arm fitting will move upwards due to the energy stored in the spring.

STEP 4: Remove the human interface (See attach and detach the human interface)

STEP 5: Hold with one hand the body of Dowing²; with the other hand, lift up in a straight line the lower swivel arm from the clamp

STEP 6: Store Dowing² in its case.

Dowing² loskoppelen

STAP 1: Vergrendel Dowing² in de vergrendelingshaak (zie parkeer of start gebruik Dowing²).

STAP 2: Verwijder de arm uit de armschaal.

STAP 3: Haal de Dowing² uit de vergrendelingshaak. Waarschuwing: de armschaal zal door de opgeslagen energie naar boven bewegen wanneer deze uit de vergrendelingshaak is genomen.

STAP 4: Verwijder de human interface (Zie koppelen en ontkoppelen van de human interface).

STAP 5: Houdt met één hand het basislichaam van de Dowing² vast, til met de andere hand de onderste zwenkarm in een rechte lijn uit de bevestigingsklem.

STAP 6: Bewaar Dowing² in de opbergdoos.

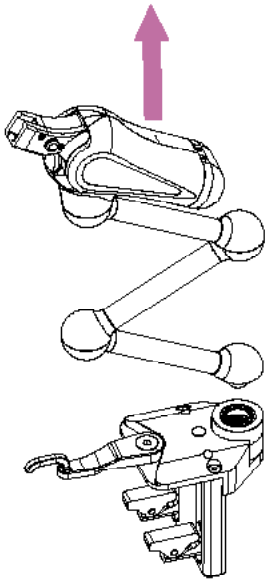


Figure 6: Take Dowing² apart from the table clamp or chair mount

Figuur 6: Neem Dowing² los van de tafel of stoel klem

Attach Dowing²

- STEP 1: Position Dowing² above the clamp.
- STEP 2: Insert the lower swivel arm into the rotation head.
- STEP 3: Attach the human interface.
- STEP 4: Lock Dowing² in the parking position.

Dowing² koppelen

- STAP 1: Positioneer Dowing² boven de bevestigingsklem.
- STAP 2: Steek de onderste zwenkarm in de rotatiekop.
- STAP 3: Bevestig de human interface.
- STAP 4: Vergrendel Dowing² in de vergrendelingshaak.

Adjust the balancing force / Aanpassen balanceerkracht

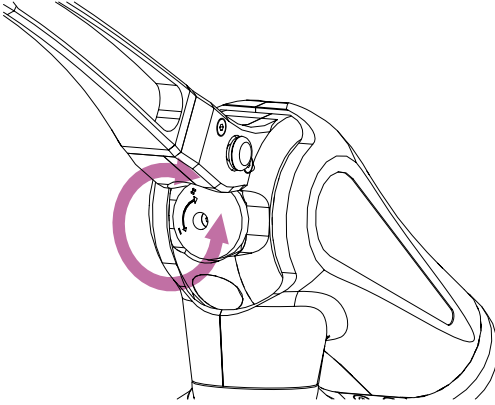


Figure 7: Adjust the balancing force
Figuur 7: Aanpassen balanceerkracht

The upwards balancing force can be adjusted by turning the adjustment knob. The force required to rotate the adjustment knob can change depending on the position of the human interface. This is normal behaviour. Because of this, the system can be adjusted using little force. Rotating the knob clockwise will give more balancing force, counter clockwise will give less force.

De opwaartse balanskant kan worden aangepast door aan de instelknop te draaien. De kracht die nodig is om de instelknop te draaien, kan veranderen afhankelijk van de positie van de human interface, dit is normaal. Hierdoor is het systeem met weinig kracht te verstellen. Als de knop met de klok mee wordt gedraaid, wordt meer balanskracht verkregen. Als de knop tegen de klok in wordt gedraaid, wordt minder balanskracht verkregen.

Contact information / Contact informatie

Dowing² is manufactured and sold by:

Dowing² wordt gefabriceerd en verkocht door:



Focal Meditech BV

Droogdokkeneiland 19

5026 SP Tilburg

Netherlands

Tel.: +31 13 533 31 03

E-mail: info@focalmeditech.nl

Internet: www.focalmeditech.nl

The complete user manual is available on our website and can be downloaded (<http://www.focalmeditech.com/downloads>). In case you want to receive a printed user manual, please contact us at +31 (0)13 533 31 03 and we will send you without any costs a hard copy within 7 days.

De complete gebruikershandleiding is beschikbaar op onze website en gedownload worden op (<http://www.focalmeditech.nl/downloads>). In het geval dat u een geprinte gebruikershandleiding wil, neem contact op via +31 (0)13 533 31 03 en we zenden u kosteloos binnen 7 dagen een geprint exemplaar toe.

the 1990s, the number of people with a disability has increased in all countries.

There are several reasons for this increase. First, the population is ageing. The number of people aged 65 and over has increased in all countries. Second, the number of people with a chronic disease has increased. Third, the number of people with a mental illness has increased. Fourth, the number of people with a physical disability has increased. Fifth, the number of people with a sensory disability has increased.

The increase in the number of people with a disability has led to a corresponding increase in the number of people who are dependent on others. This is because people with a disability often have difficulty performing daily activities and need help from others. This help can be provided by family members, friends, or professional care providers.

The increase in the number of people with a disability has also led to a corresponding increase in the number of people who are dependent on others. This is because people with a disability often have difficulty performing daily activities and need help from others. This help can be provided by family members, friends, or professional care providers.

The increase in the number of people with a disability has also led to a corresponding increase in the number of people who are dependent on others. This is because people with a disability often have difficulty performing daily activities and need help from others. This help can be provided by family members, friends, or professional care providers.

The increase in the number of people with a disability has also led to a corresponding increase in the number of people who are dependent on others. This is because people with a disability often have difficulty performing daily activities and need help from others. This help can be provided by family members, friends, or professional care providers.

The increase in the number of people with a disability has also led to a corresponding increase in the number of people who are dependent on others. This is because people with a disability often have difficulty performing daily activities and need help from others. This help can be provided by family members, friends, or professional care providers.

the 1990s, the number of people with a disability has increased in all countries.

There are several reasons for this increase. First, the population is ageing. The number of people aged 65 and over has increased in all countries. Second, the number of people with a chronic disease has increased. Third, the number of people with a mental illness has increased. Fourth, the number of people with a physical disability has increased. Fifth, the number of people with a sensory disability has increased.

The increase in the number of people with a disability has led to a corresponding increase in the number of people who are dependent on others. This is because people with a disability often have difficulty performing daily activities and need help from others. This help can be provided by family members, friends, or professional care providers.

The increase in the number of people with a disability has also led to a corresponding increase in the number of people who are dependent on others. This is because people with a disability often have difficulty performing daily activities and need help from others. This help can be provided by family members, friends, or professional care providers.

The increase in the number of people with a disability has also led to a corresponding increase in the number of people who are dependent on others. This is because people with a disability often have difficulty performing daily activities and need help from others. This help can be provided by family members, friends, or professional care providers.

The increase in the number of people with a disability has also led to a corresponding increase in the number of people who are dependent on others. This is because people with a disability often have difficulty performing daily activities and need help from others. This help can be provided by family members, friends, or professional care providers.

The increase in the number of people with a disability has also led to a corresponding increase in the number of people who are dependent on others. This is because people with a disability often have difficulty performing daily activities and need help from others. This help can be provided by family members, friends, or professional care providers.